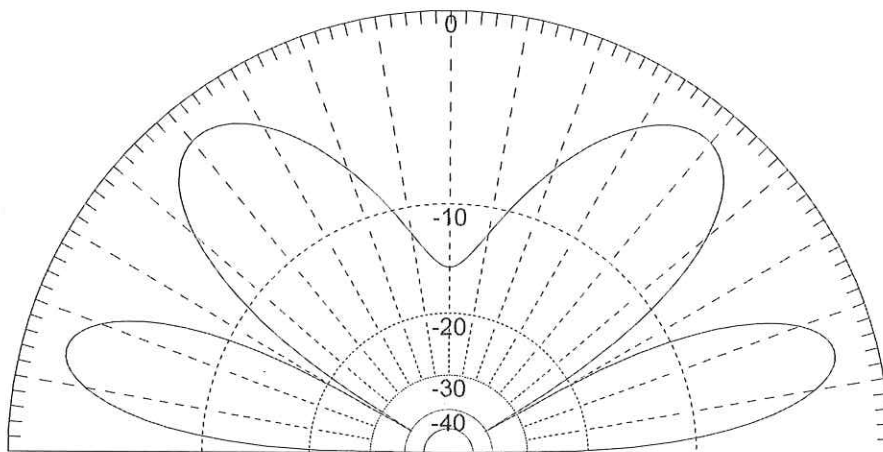
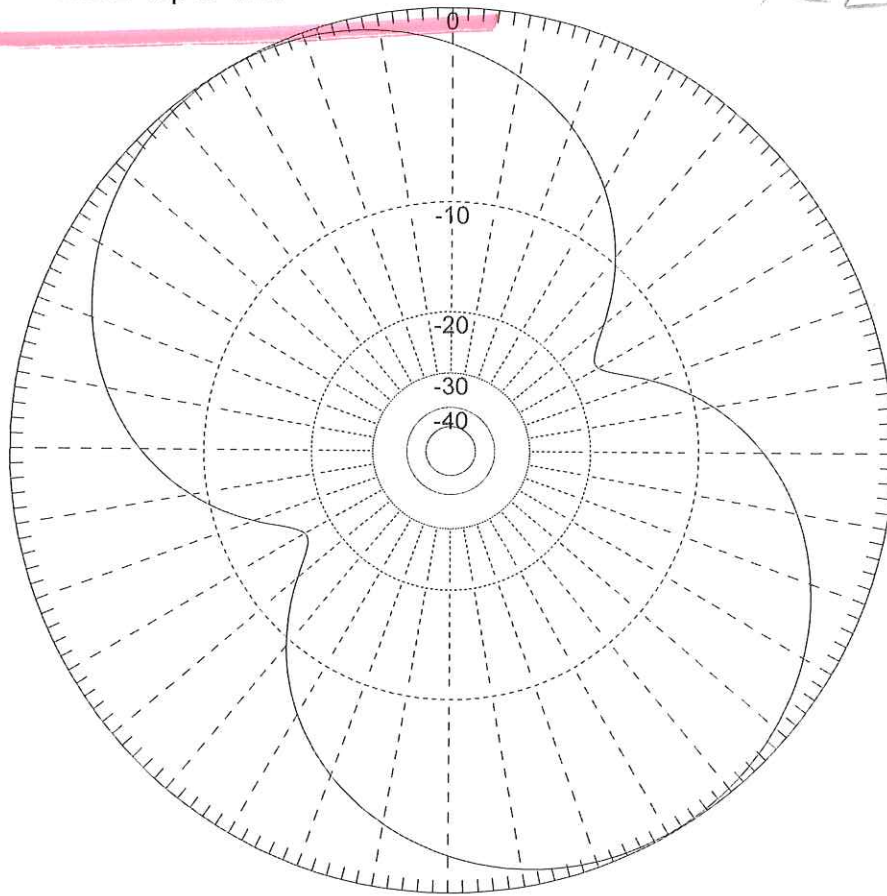


MMANA-GAL v. 1.2.0.20

Lomemy dipol145 MHz dipol 120°

DOCTADO OA
SIMULACE!



Ga : 7.85 dBi = 0 dB (Horizontal polarization)
F/B: -0.57 dB; Rear: Azim. 120 dg, Elev. 60 dg
Freq: 145.000 MHz
Z: 73.876 + j35.917 Ohm
SWR: 2.0 (50.0 Ohm),
Elev: 51.6 dg (Perfect GND :2.00 m height)

Speculation

All points

Detailed

Resonance

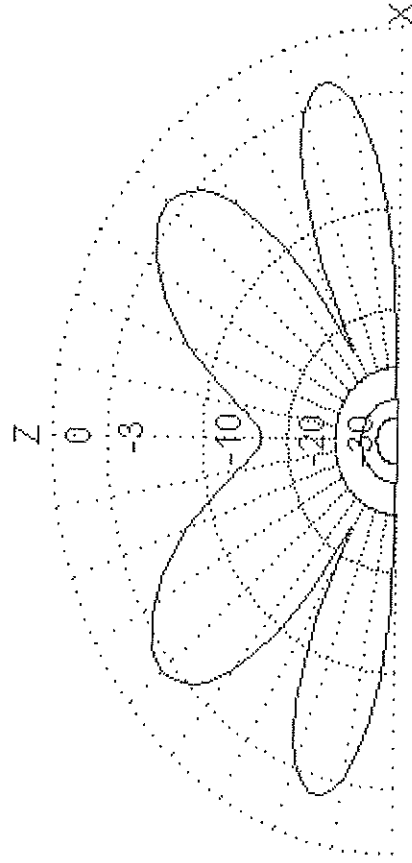
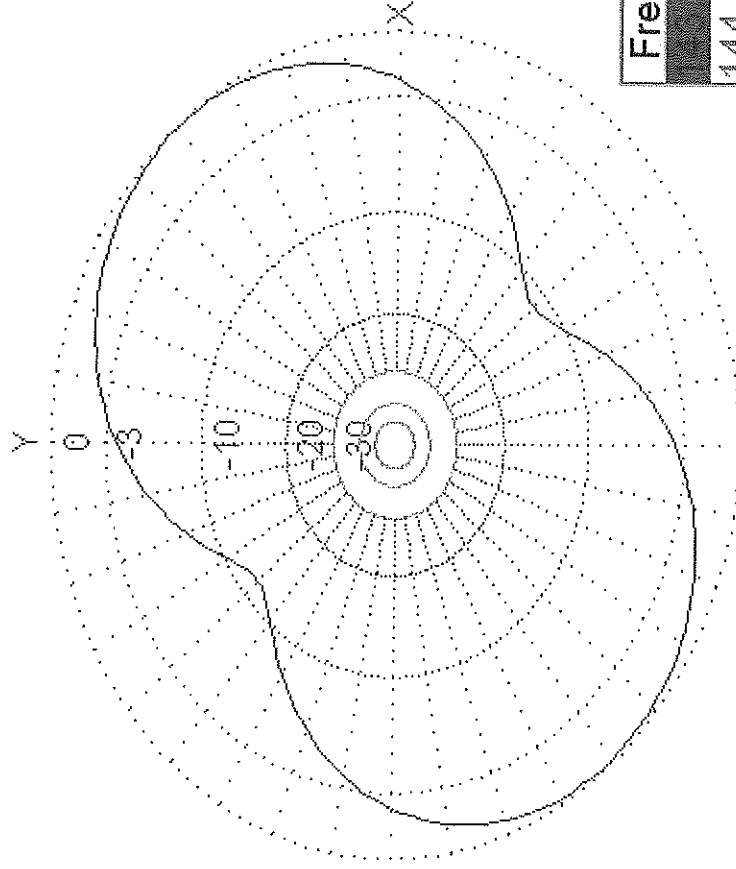
Print

BW 4000

KHz

Z

SWR Gain/FB Far fields Setup



7.4(dBi) = 0dB

Colours

Freq	R	iX	Ga	F/B	ON
144.0					Off
145.0	35.3	-0.0	7.4	-0.6	On
146.0					Off
147.0					Off

Field(s)

V

H

Total

V+H